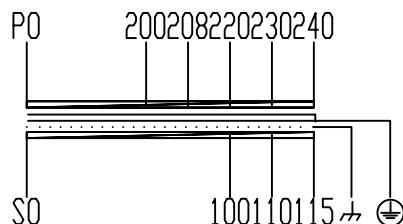
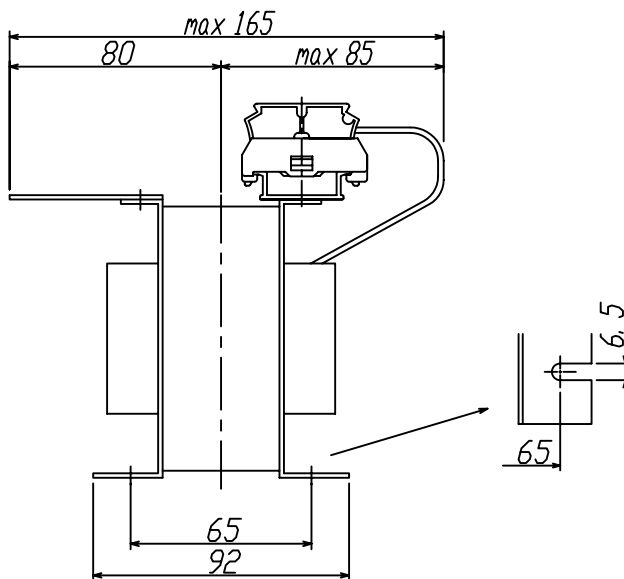
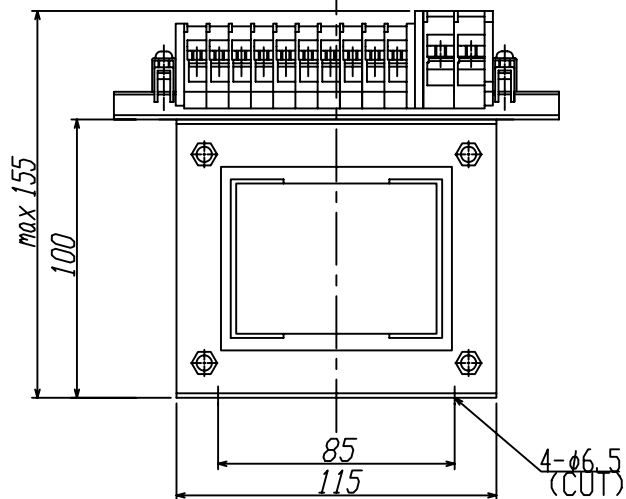
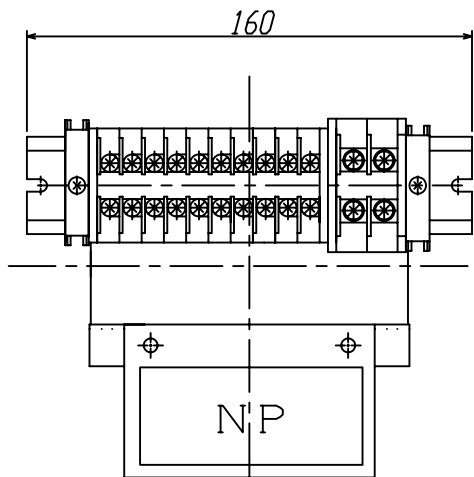
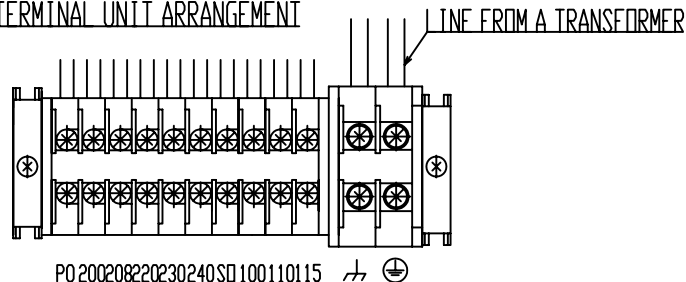


CONNECTION DIAGRAM



TERMINAL UNIT ARRANGEMENT



DRY-TYPE TRANSFORMER
FOR INDOOR USE ONLY

PHASE	~	
FREQUENCY	50/60	Hz
RATING	CONT.	
CAPACITY	100	VA
PRI. VOLTAGE	240-230-220-208-200 V	
SEC. VOLTAGE	115-110-100 V	
SEC. CURRENT	1.00	A
INS. CLASS	B	
MASS	4	kg
HIGHEST AMBIENT TEMPERATURE	40 °C	
STANDARD	JN61558-2-4 (IEC61558)	
DIELECTRIC STRENGTH	P-E	2.1 kV 1min
	P-S	4.2 kV 1min
	S-E	1.4 kV 1min

• WITH EARTH-SHIELD PLATE BETWEEN H. V. AND L. V. WINDING TERMINAL (TOYOGIKEN)

- PRI.: FP-20 6P 22A, M3.5, max2sq
- SEC.: FP-20 4P 22A, M3.5, max2sq
- E: FP 40 1P 40A, M4, max5.5sq
- ⊕: FP 40 1P 40A, M4, max5.5sq

NAME PLATE

DRY-TYPE TRANSFORMER	STANDARD JN61558-2-4 (IEC61558)
TYPE AEN-100E	
CAPACITY 100 VA	50/60 Hz
PRI. V 240-230-220-208-200 V	
SEC. V 115-110-100 V	SEC. A 1.00A
% IMP to 40 °C	at 75°C
DATE	SER. No.
AIHARA ELECTRIC CO., LTD.	

符号 MARK	年月日 DATE	記事 CONTENTS	尺度 SCALE / 单位 UNIT mm	検図 CHECKED	設計 DESIGNED	製図 DRAWN	担当者 APPROVED	名称 TITLE AEN-100E DRY-TYPE TRANSFORMER
変更 CHANGE			第三角法 3RD ANGLE PROJECTION	日付 DATE	相原電機株式会社 AIHARA ELECTRIC CO., LTD.			図面番号 DRW. NO.